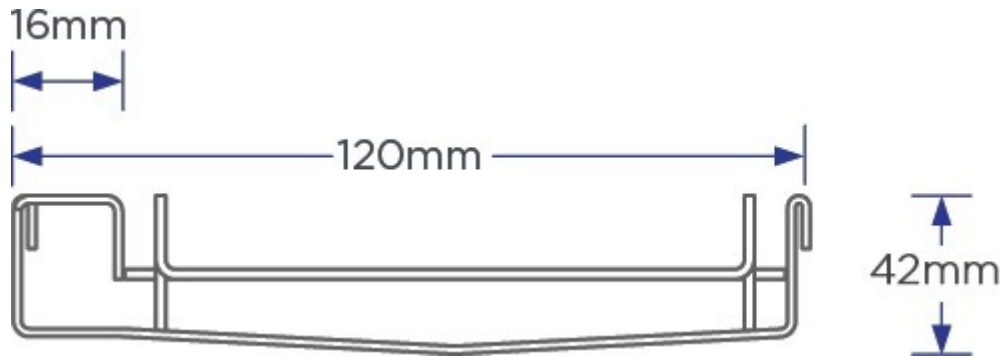
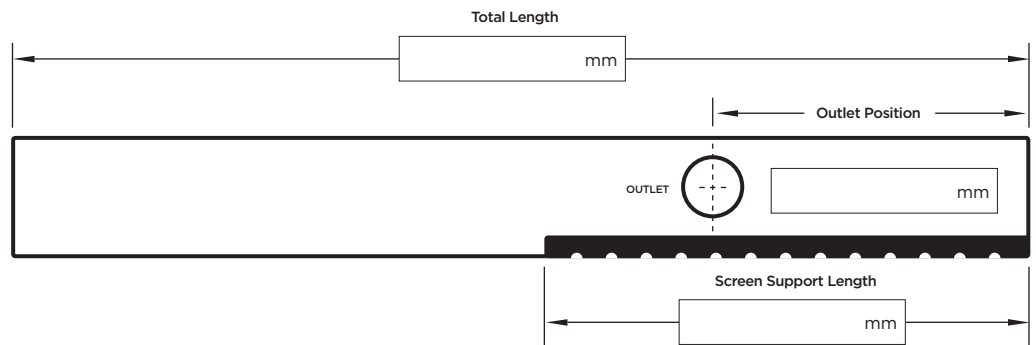


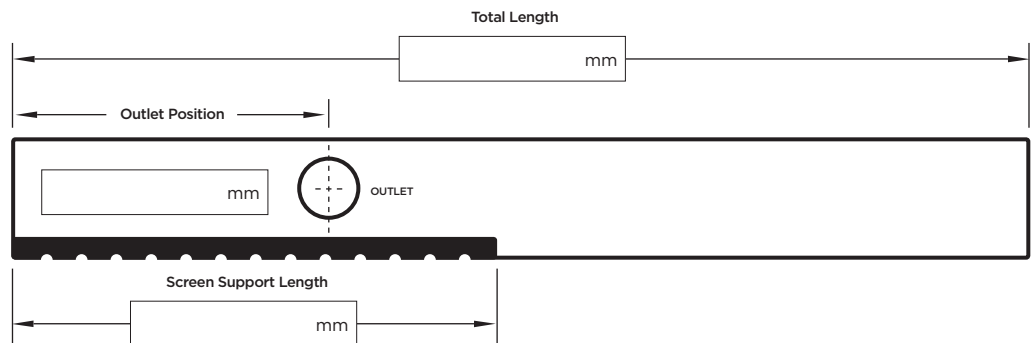
Order and Quote Form

**120SCSTii40MTL****Shower Screen Support Grate + Channel****Shower Screen Position + Dimensions** Choose Right OR Left Screen Position to Suit Requirements**1. RIGHT POSITION**  
SHOWER SCREEN**Required Outlet Size**
 76mm\*    89mm

\* Only suitable with DN80 riser

**2. LEFT POSITION**  
SHOWER SCREEN**Required Outlet Size**
 76mm\*    89mm

\* Only suitable with DN80 riser

**Please Note**

See AS3500 standard & local regulator for specific outlet and drainage requirements. Stainless Steel Grade is 316 unless specified. Minimum charge of 1000mm. Grates longer than 1500mm and Tile Inserts longer than 1200mm are supplied in multiple sections. Channels 3000mm maximum in one piece, channels over 3000mm are supplied in multiple sections with joiner. +/- 2mm tolerance on dimensions.

**Full Name**

**Company Name**

**Telephone**

**Email Address**

**Order Number**

**Stormtech Quote Number**

**Signature**


Phone 1300 653 403 | Fax 02 4423 5552

Email [info@stormtech.com.au](mailto:info@stormtech.com.au)[stormtech.com.au](http://stormtech.com.au)