





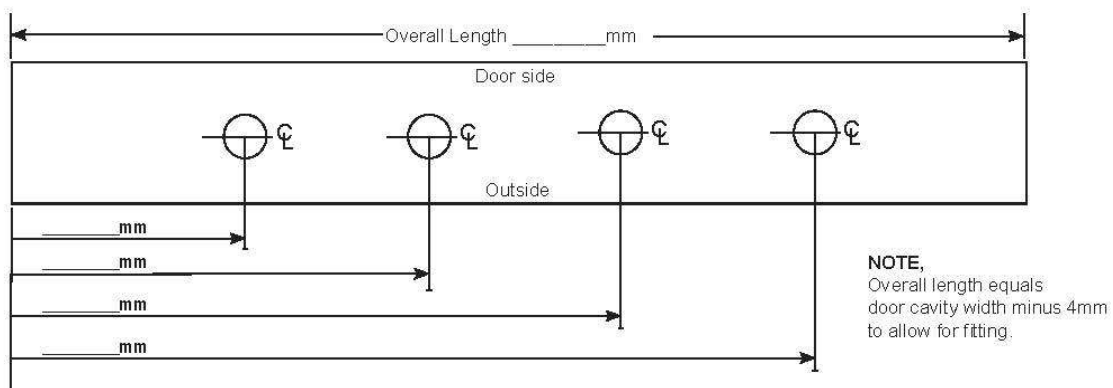
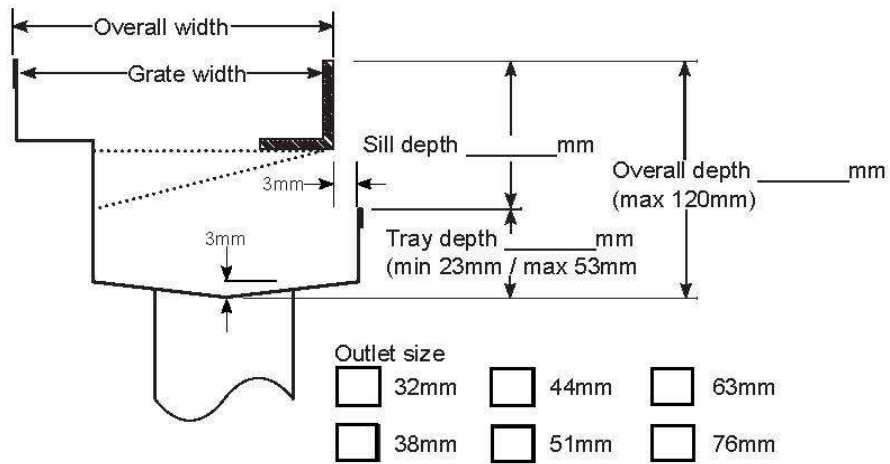


Threshold drain - Premium for Sub Sil and Sil Order Form



 <input type="checkbox"/> AR Architectural 2mm wire 2.5mm gap	 <input type="checkbox"/> PS Punched Slot	 <input type="checkbox"/> PAS Punched Angle Slot	 <input type="checkbox"/> PPS Punched Perpendicular Slot	 <input type="checkbox"/> MND Marc Newson	 <input type="checkbox"/> Tile Insert 14mm ID (Suits max 12mm tile)
--	--	---	---	--	---

- | | | |
|--|--------------------------------------|---|
| <input type="checkbox"/> 65mm Tile Insert | <input type="checkbox"/> 65mm Grate | Overall width = 74mm (Min sill depth 35mm) |
| <input type="checkbox"/> 100mm Tile Insert | <input type="checkbox"/> 100mm Grate | Overall width = 109mm (Min sill depth 30mm) |



Name <input type="text"/>	Email <input type="text"/>	
Customer name/job <input type="text"/>	Branch <input type="text"/>	S/tech quote # <input type="text"/>
Order number <input type="text"/>	Signature & date <input type="text"/>	

Fax to 02 44235552 or email to info@stormtech.com.au

