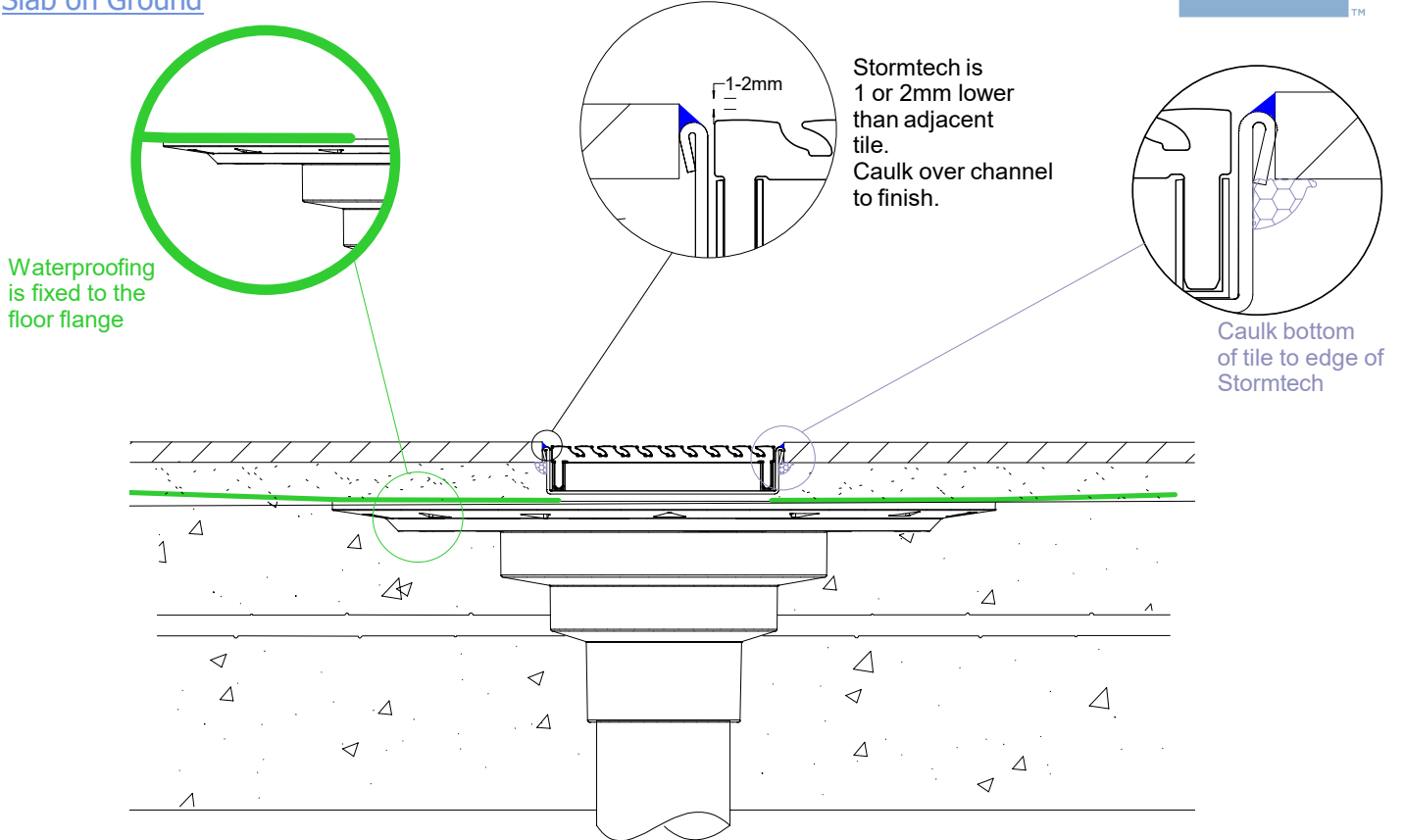


100AAi20 Concrete Floor or Deck



Slab on Ground



NOTE, waterproofing slopes towards the floor flange, with the flange as the lowest point in the waterproofing

Suspended Slab

