

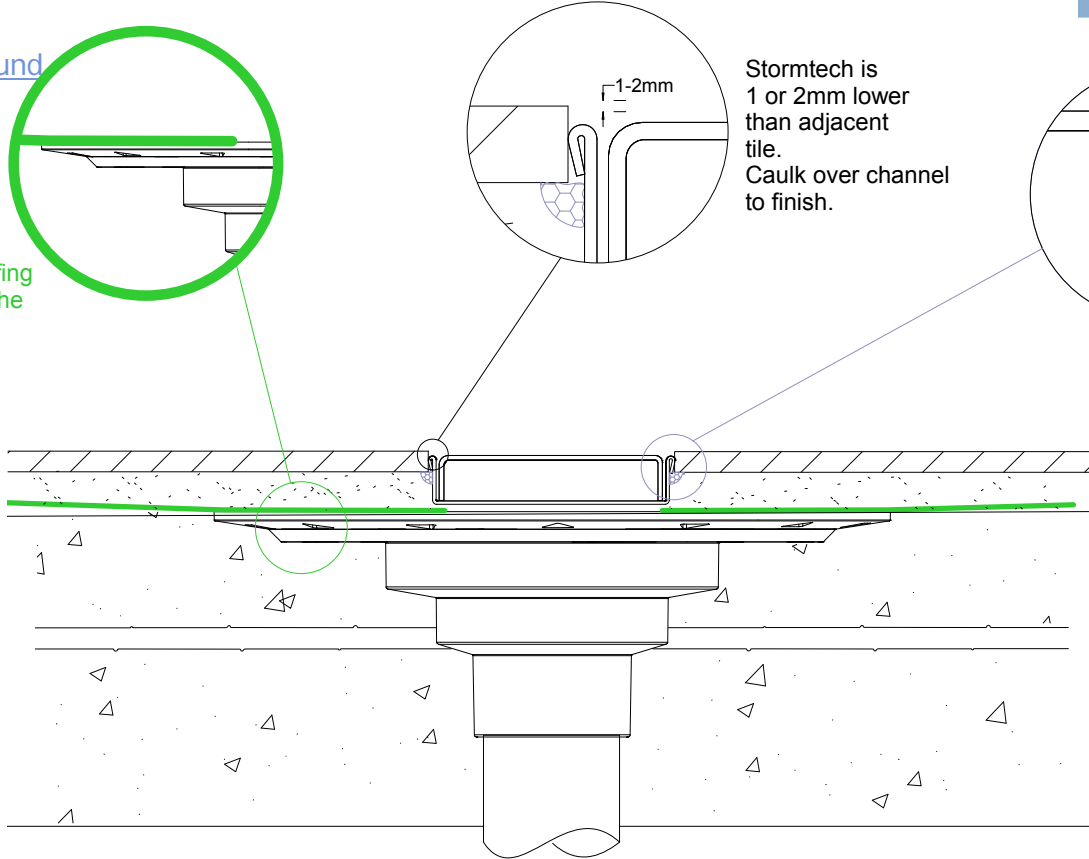
100i20 MTL & CO Concrete Floor or Deck

For 100ARi20MTL, 100ARiCO20, 100MNDi20MTL, 100MNDiCO20,
100PSi20MTL, 100PSi20CO, 100TRi20MTL, 100TRiCO20,
100PSSi20MTL, 100PASi20MTL



Slab on Ground

Waterproofing is fixed to the floor flange



Stormtech is 1 or 2mm lower than adjacent tile. Caulk over channel to finish.

Caulk bottom of tile to edge of Stormtech

Suspended Slab

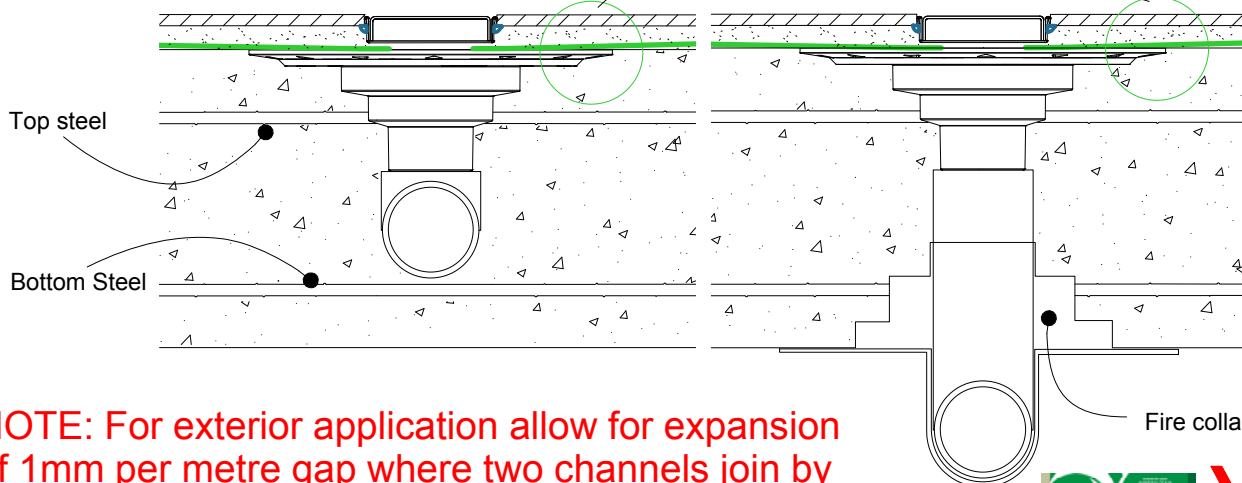
Tile

Tile glue or bed.

Waterproofing

Substrate

NOTE, waterproofing slopes towards the floor flange, with the flange as the lowest point in the waterproofing



NOTE: For exterior application allow for expansion of 1mm per metre gap where two channels join by using quality suitable flexible sealant on channel joiners.

